

Stainless Steel Levelling Feet

Designed for Demanding Environments



- /// Hygenic Design
- /// Made of Stainless Steel

- /// Easy Assembly
- /// With or without Fixing Plate

Product Selection



Technical Specifications

Stainless Steel Specifications:

- /// Stainless steel: AISI 304 (A2)
- /// Application temperature max: 250°C
- /// High chemical and corrosion resistance

NBR72 Rubber Specifications:

- /// Food grade
- /// Temperature range: -15°C to +95°C
- /// Colour: Black
- /// Shore A hardness: 70-75
- /// High chemical resistance to common applied cleaning agents

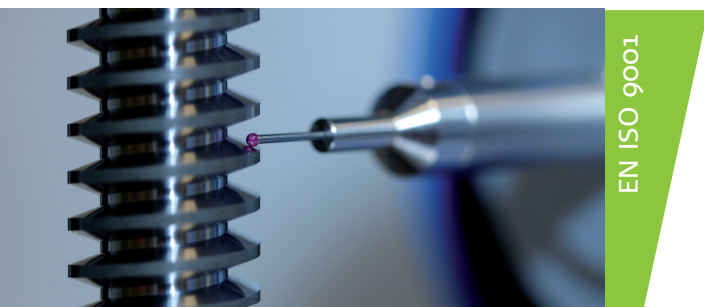
Today, BJ-Gear is one of the leading companies in developing, manufacturing and supplying gears, geared motors, linear products, special gears and complete transmission solutions. The combination of innovation, know-how, high technological production facilities and our focus on customer requirements make us a competent partner. We prioritize short reply and delivery times together with a high and qualified service level.



BJ-Gear domicile

Quality based on experience, precision and method

Since 1964 BJ-Gear has been acting as a quality oriented manufacturer of gears and linear products for many different industries and for widely different purposes. We are certified according to EN ISO 9001: 2008 and we focus on precision and care when manufacturing. Our components and finished products strictly observe all prescribed specifications and requirements. On request the products can be supplied with reports which documents the specifications and performance like efficiency, backlash, key measurements etc.



EN ISO 9001

CSR - Investing in sustainability and good environment

BJ-Gear takes responsibility for the environment in and outside the company. We want to make our contribution to reducing CO2 effect on climate, while also focusing on strengthening employee welfare and health. Therefore, we prioritize sustainability and decent working conditions in our investments and the activities we put in place.

Contents:

	Product selection	3
60	Stainless steel levelling feet Ø60	4
80	Stainless steel levelling feet Ø80	5
100	Stainless steel levelling feet Ø100	6
120	Stainless steel levelling feet Ø120	7



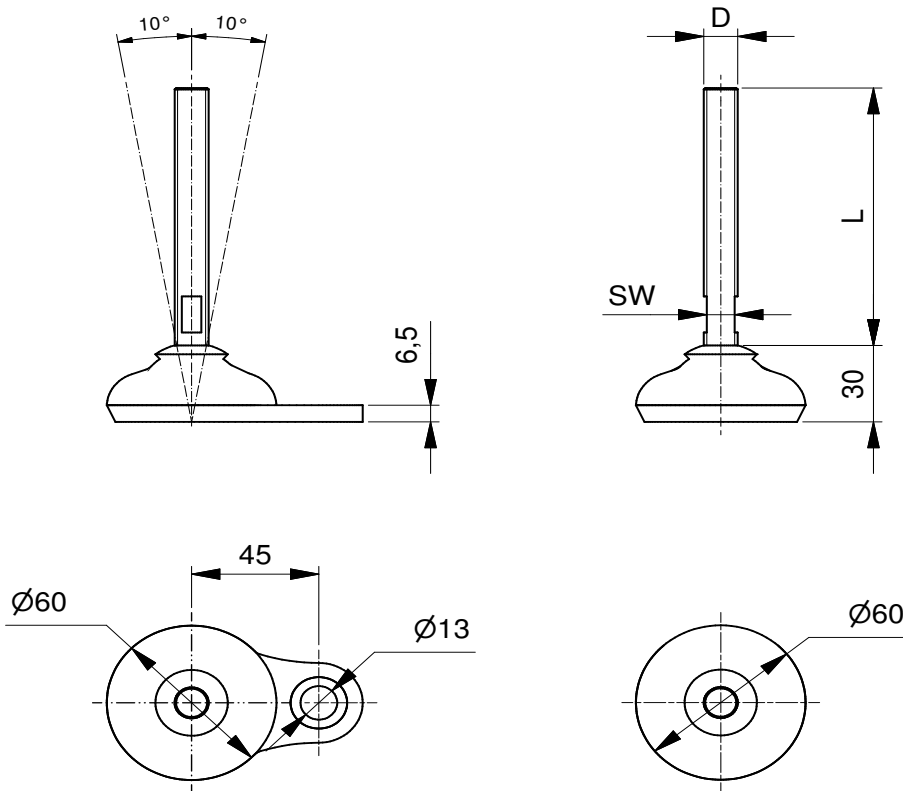
Stainless Steel Levelling Feet - BJLF60 / BJLF61

The stainless steel levelling feet - BJLF60/BJLF61 has a Ø60 mm base size. The levelling feet are available with or without fixing plate to prevent movement. The embedded rubber, has a rounded and hygienic design which makes the feet easy to clean.

The levelling feet can cope with up to 10° slopes on floors and equipment.

Specifications:

- /// Ø60 mm base
- /// Spindles are available in following lengths: 120,150 and 200 mm
- /// Dimensions: M12 and M16



Item No. without Fixing Plate	Item No. with Fixing Plate	L	D	SW	Max load approx. [N]	Weight Without Fixing Plate [kg]	Weight With Fixing Plate [kg]
BJLF-60-M12-120	BJLF-61-M12-120	120	M12	10	7,300	0.25	0.28
BJLF-60-M12-150	BJLF-61-M12-150	150	M12	10	7,300	0.27	0.30
BJLF-60-M16-150	BJLF-61-M16-150	150	M16	13	7,300	0.36	0.39
BJLF-60-M16-200	BJLF-61-M16-200	200	M16	13	7,300	0.42	0.46

When ordering please use the item No.

All measurements are in millimeters

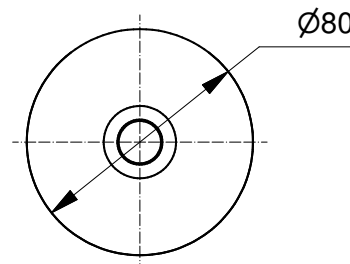
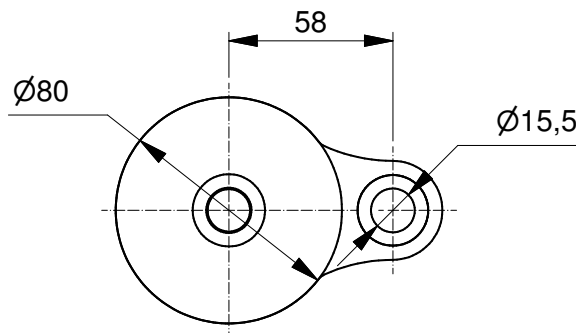
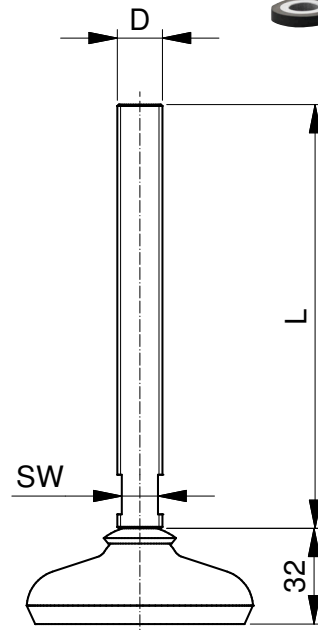
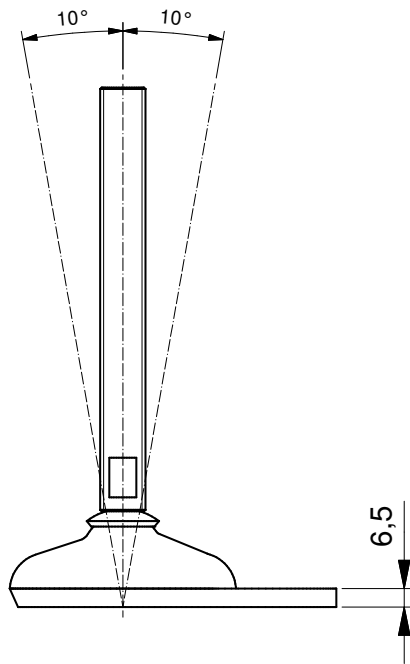
Stainless Steel Levelling Feet - BJLF80 / BJLF81

The stainless steel levelling feet - BJLF80/BJLF81 has a Ø80 mm base size. The levelling feet are available with or without fixing plate to prevent movement. The embedded rubber, has a rounded and hygienic design which makes the feet easy to clean.

The levelling feet can cope with up to 10° slopes on floors and equipment.

Specifications:

- /// Ø80 mm base
- /// Spindles are available in following lengths: 120,150 and 200 mm
- /// Dimensions: M12, M16 and M20



Item No. without Fixing Plate	Item No. with Fixing Plate	L	D	SW	Max load approx. [N]	Weight Without Fixing Plate [kg]	Weight With Fixing Plate [kg]
BJLF-80-M12-120	BJLF-81-M12-120	120	M12	10	12,600	0.36	0.41
BJLF-80-M12-150	BJLF-81-M12-150	150	M12	10	7,300	0.38	0.43
BJLF-80-M16-150	BJLF-81-M16-150	150	M16	13	15,700	0.47	0.52
BJLF-80-M16-200	BJLF-81-M16-200	200	M16	13	15,100	0.53	0.59
BJLF-80-M20-150	BJLF-81-M20-150	150	M20	17	15,700	0.58	0.63
BJLF-80-M20-200	BJLF-81-M20-200	200	M20	17	15,700	0.68	0.74

When ordering please use the item No. All measurements are in millimeters

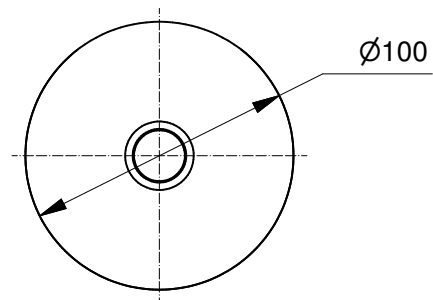
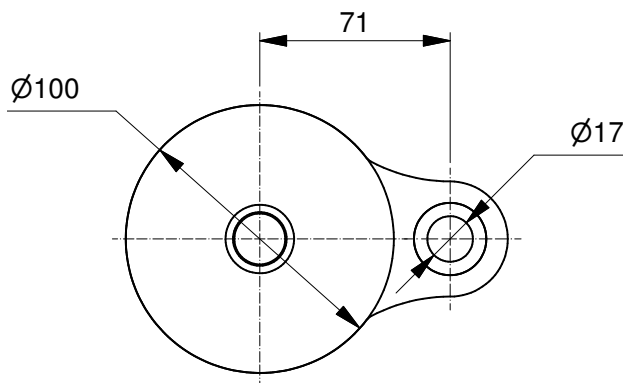
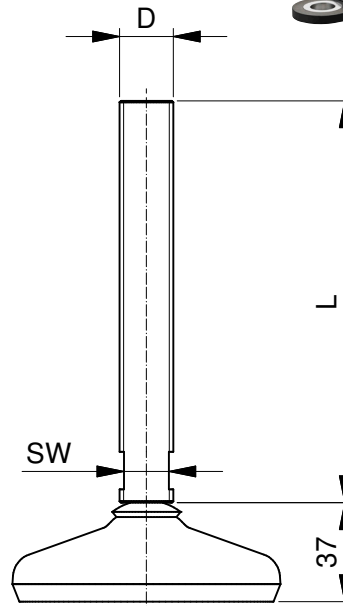
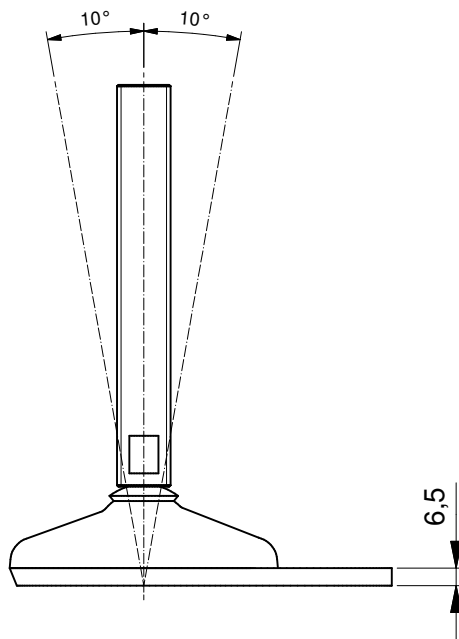
Stainless Steel Machine Feet - BJLF100 / BJLF101

The stainless steel levelling feet - BJLF100/BJLF100 has a Ø100 mm base size. The levelling feet are available with or without fixing plate to prevent movement. The embedded rubber, has a rounded and hygienic design which makes the feet easy to clean.

The levelling feet can cope with up to 10° slopes on floors and equipment.

Specifications:

- /// Ø100 mm base
- /// Spindles are available in following lengths: 150 and 200 mm
- /// Dimensions: M16, M20 and M24



Item No. without Fixing Plate	Item No. with Fixing Plate	L	D	SW	Max load approx. [N]	Weight Without Fixing Plate [kg]	Weight With Fixing Plate [kg]
BJLF-100-M16-150	BJLF-101-M16-150	150	M16	13	21,000	0.68	0.75
BJLF-100-M16-200	BJLF-101-M16-200	200	M16	13	15,100	0.74	0.81
BJLF-100-M20-150	BJLF-101-M20-150	150	M20	17	21,000	0.79	0.86
BJLF-100-M20-200	BJLF-101-M20-200	200	M20	17	21,000	0.89	0.96
BJLF-100-M24-150	BJLF-101-M24-150	150	M24	20	21,000	0.92	0.99
BJLF-100-M24-200	BJLF-101-M24-200	200	M24	20	21,000	1.07	1.14

When ordering please use the item No.

All measurements are in millimeters



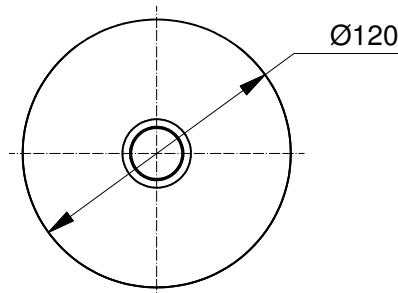
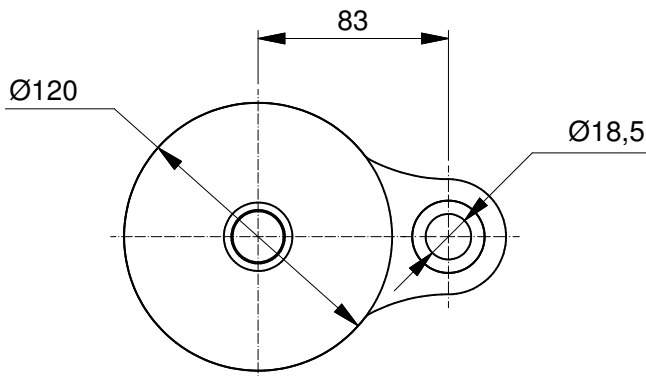
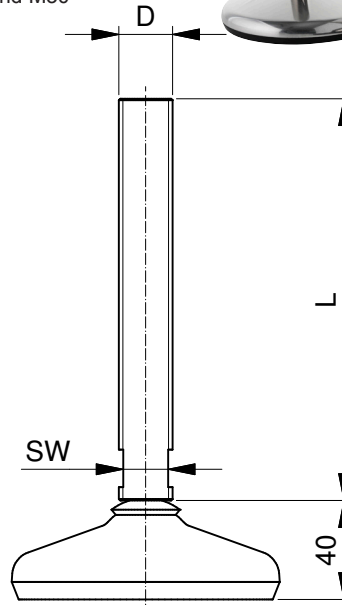
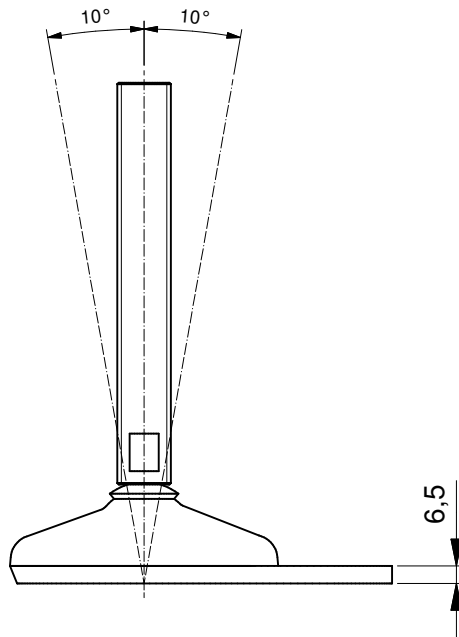
Stainless Steel Levelling Feet - BJLF120 / BJLF121

The stainless steel levelling feet - BJLF120/BJLF121 has a Ø120 mm base size. The levelling feet are available with or without fixing plate to prevent movement. The embedded rubber, has a rounded and hygienic design which makes the feet easy to clean.

The levelling feet can cope with up to 10° slopes on floors and equipment.

Specifications:

- /// Ø120 mm base
- /// Spindles are available in following lengths: 150,180, 200 and 230 mm
- /// Dimensions: M16, M20, M24 and M30



Item No. without Fixing Plate	Item No. with Fixing Plate	L	D	SW	Max load approx. [N]	Weight Without Fixing Plate [kg]	Weight With Fixing Plate [kg]
BJLF-120-M16-150	BJLF-121-M16-150	150	M16	13	31,300	0.89	1.00
BJLF-120-M16-200	BJLF-121-M16-200	200	M16	13	15,100	0.95	1.07
BJLF-120-M20-150	BJLF-121-M20-150	150	M20	17	31,500	1.00	1.11
BJLF-120-M20-200	BJLF-121-M20-200	200	M20	17	31,500	1.10	1.22
BJLF-120-M24-150	BJLF-121-M24-150	150	M24	20	31,500	1.13	1.25
BJLF-120-M24-200	BJLF-121-M24-200	200	M24	20	31,500	1.28	1.39
BJLF-120-M30-180	BJLF-121-M30-180	180	M30	24	31,500	1.55	1.66
BJLF-120-M30-230	BJLF-121-M30-230	230	M30	24	31,500	1.77	1.88

When ordering please use the item No.

All measurements are in millimeters

Our Product Program in brief

Worm Gears



Helical and Helical Bevel Gears



Right Angel Gears



Planetary Gears



Linear Products



Stainless Steel Products



Adapted Products



Special Products



NG Flange Bearings



Motors



Encoders, Brakes and Clutches



Couplings



Distributed from:

Copyright © 2016 BJ-Gear A/S.

All product rights reserved. All data, illustrations, photographs, drawings and statements are for general information only and subject to change without notice. They should not be considered as a warranty or legal obligation of any kind.

